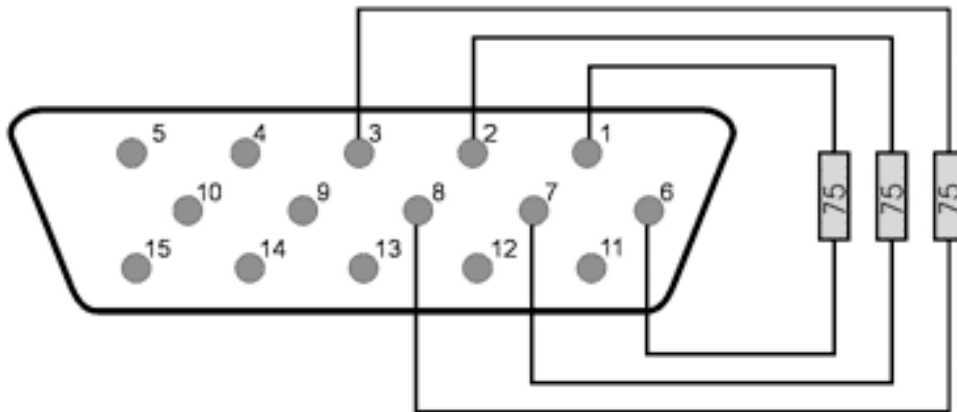


A VGA Dummy

The VGA Dummy is useful when having difficulties with the OSX booting logic by automatically detecting the various displays in the right order.

You may also need some DVI->VGA (miniDisplay->VGA) adapters for that...



Meist reicht schon PIN 2 mit PIN 7 mit 75 Ohm zu brücken.

In most cases it's enough to bridge PIN 2 and PIN 7 with 75 Ohm.

The pins used have this meaning by the way:

- 1 Red Video
- 2 Green Video
- 3 Blue Video
- 6 Red Ground
- 7 Green Ground
- 8 Blue Ground